



WALL/POLE MOUNT – INTERACTIVE VOICE COMMUNICATION UNIT

The **CB 8** is a highly flexible wall or pole mount unit specifically designed for areas that do not have accessible power or phone lines. The **CB 8** is available with GSM cellular or IP wireless communication options.

The low power consumption, LED-lit faceplate illuminates the exclusive analog InterAct™ and VoIP speakerphones designed for maximum reliability, vandal resistance, auxiliary functions, mass notification control, and fault monitoring and reporting capability; leading the market in system programming flexibility.

The optional remote mount combination LED beacon/strobe kit provides the security with high visibility response to each unit.

With Code Blue's NightCharge® option, the **CB 8** can pull power from a switched light grid and operate 24 hours per day, even when the grid is switched off.

STANDARD FEATURES

- ▶ Analog and VoIP speakerphone options
- ▶ ToolVox® Communication Manager compatible with Blue Alert®, EMS and UPD software integration
- ▶ 2 Auxiliary inputs/3 Auxiliary outputs (3 NO or 3 NC)
- ▶ LED lit stainless steel faceplate
- ▶ Phone line surge suppressor
- ▶ 24v AC power
- ▶ Voice Identifier
- ▶ ADA compliant
- ▶ Wall mounting kit
- ▶ Vandal resistant hardware
- ▶ Ultra-weather resistant finish

OPTIONAL FEATURES

- ▶ Two-button speakerphone w/keypad
- ▶ Two-button speakerphone
- ▶ NightCharge®
- ▶ Solar panel array
- ▶ Custom colors & graphics
- ▶ Pole mounting hardware kit
- ▶ Step-down power transformer
- ▶ GSM cellular & IP wireless communication
- ▶ Remote mounted combination LED beacon/strobe kit

UNIT SPECIFICATIONS

Overall Height (w/ solar panel)	25.75" (65.4 cm)
Width	14" (35.6 cm)
Depth	12.6875" (32.2 cm)
Housing Material, steel	.125" (0.3cm)
Overall Weight	80 lbs. (36.29 kg)
Power Requirements	120v AC standard input

UNIT FINISH COLORS

Standard Painted Finish	British Racing Green, Cardinal Red, Dark Bronze, Gloss White, Gloss Black, Medium Bronze, Midnight Blue, Safety Blue, Safety Red, Safety Yellow
Custom Painted Finish	Custom colors from Pantone® color chart or sample are available as a special order

GRAPHICS TEXT (WORDING)

Standard	Assistance, Courtesy, Emergency, Police, Security
Custom	Custom text graphics are available as a special order

GRAPHICS TEXT COLORS

Standard (reflective decal)	Black, Blue, Green, Red, White, Yellow
Custom	Custom colors from Pantone color chart or sample are available as a special order

SOLAR POWER

Provides continuous power to the CB 8 from a solar array without additional power requirements. Allows installation where power lines are not available or cost prohibitive. Requires daytime solar energy.

GSM CELLULAR & IP WIRELESS OPTION

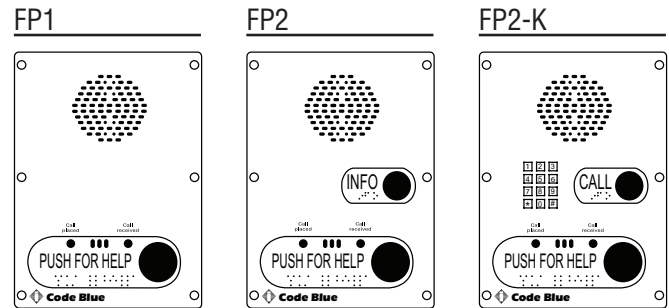
As more users desire ubiquitous connectivity, Code Blue's GSM cellular eliminates trenching phone line, as well as IP Wireless exploits built-in VLAN (Virtual Local Area Networks) capable of maximizing your investment, including various integration scenarios with existing equipment.

NIGHTCHARGE® POWER OPTION

Provides continuous power to the unit from a non-continuous power source. Typically used with an outdoor lighting network when power is only on during a portion of the day or night.

REMOTE MOUNT COMBINATION LED BEACON/STROBE

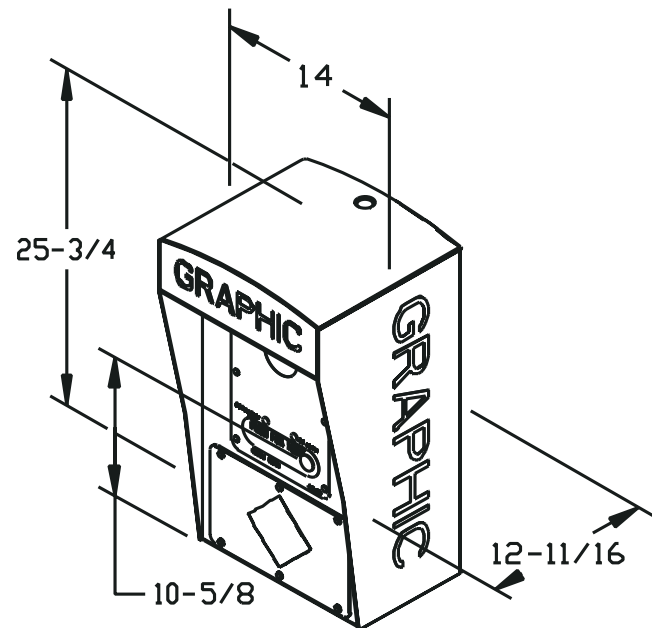
The remote mount allows optimal placement providing a highly visually constant blue beacon and a powerful activated LED strobe for rapid unit location recognition.

FACEPLATE OPTIONS


Standard faceplate assembly with single red **PUSH FOR HELP** button

Optional faceplate assembly with additional black **INFO** button

Optional faceplate assembly with additional **CALL** button and keypad



- Mounting hardware and template for unit is shipped in advanced for foundation work.
- Specifications subject to change without notice or obligation on the part of the manufacturer.