

PEDESTAL – INTERACTIVE VOICE COMMUNICATION UNIT

Based on the CB 9-d, its larger sibling, the **CB 9-s** is a heavy duty, free standing pedestal designed for pedestrian access or access from an automobile.

The exclusive analog InterAct™ and VoIP speakerphones are designed for maximum reliability, vandal resistance, auxiliary functions, mass notification control, and fault monitoring and reporting capability; leading the market in system programming flexibility.

The **CB 9-s** can be used anywhere communication is required, easily withstands a high rate of abuse and is ideal for parking entry points and other gatekeeper applications.



STANDARD FEATURES

- ▶ Analog and VoIP speakerphone options
- ▶ ToolVox® Communication Manager compatible with Blue Alert®, EMS and UPD software integration
- ▶ 2 Auxiliary inputs/3 Auxiliary outputs (3 NO or 3 NC)
- ▶ 24v LED low consumption area light
- ▶ LED lit stainless steel faceplate
- ▶ 24v AC power
- ▶ ADA compliant
- ▶ Vandal resistant hardware
- ▶ Phone line surge suppressor
- ▶ Ultra-weather resistant finish
- ▶ Internal foundation anchor kit

OPTIONAL FEATURES

- ▶ Two-button speakerphone w/keypad
- ▶ Two-button speakerphone
- ▶ Custom colors & graphics
- ▶ Step-down power transformer

UNIT SPECIFICATIONS

Overall Height	60" (152.4 cm)
Outside Diameter	12.75" (32.38 cm)
Housing Material, steel	.25" (.635 cm)
Access Opening (w x h)	8.5" x 12" (21.59 x 30.48 cm)
Overall Weight	300 lbs. (125 kg)
Standard Power Requirements	24v AC @ 3w

UNIT FINISH COLORS

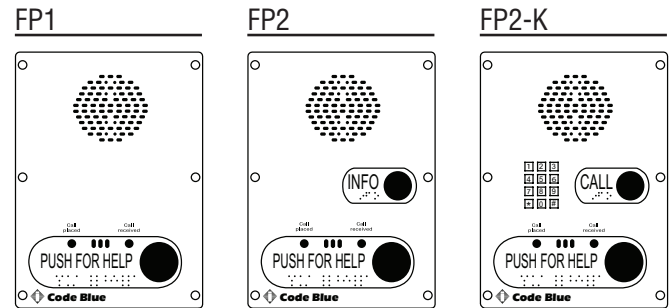
Standard Painted Finish	British Racing Green, Cardinal Red, Dark Bronze, Gloss White, Gloss Black, Medium Bronze, Midnight Blue, Safety Blue, Safety Red, Safety Yellow
Custom Painted Finish	Custom colors from Pantone® color chart or sample are available as a special order

GRAPHICS TEXT (WORDING)

Standard	Assistance, Courtesy, Emergency, Police, Security
Custom	Custom text graphics are available as a special order

GRAPHICS TEXT COLORS

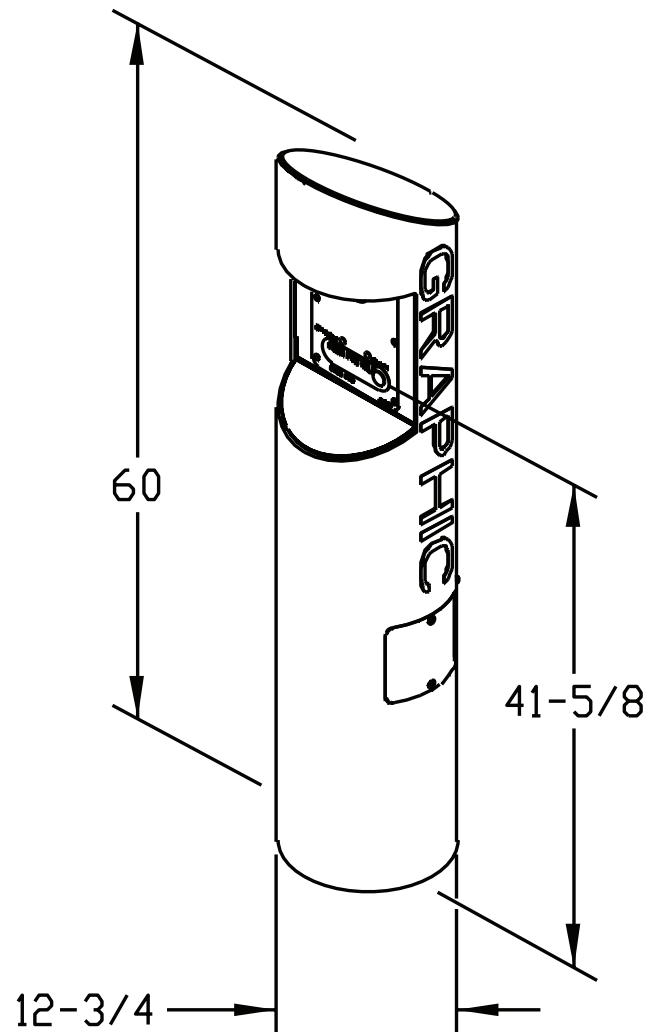
Standard (reflective decal)	Black, Blue, Green, Red, White, Yellow
Custom	Custom colors from Pantone color chart or sample are available as a special order

FACEPLATE OPTIONS


Standard faceplate assembly with single red **PUSH FOR HELP** button

Optional faceplate assembly with additional black **INFO** button

Optional faceplate assembly with additional **CALL** button and keypad



- Mounting hardware and template for unit is shipped in advanced for foundation work.
- Specifications subject to change without notice or obligation on the part of the manufacturer.