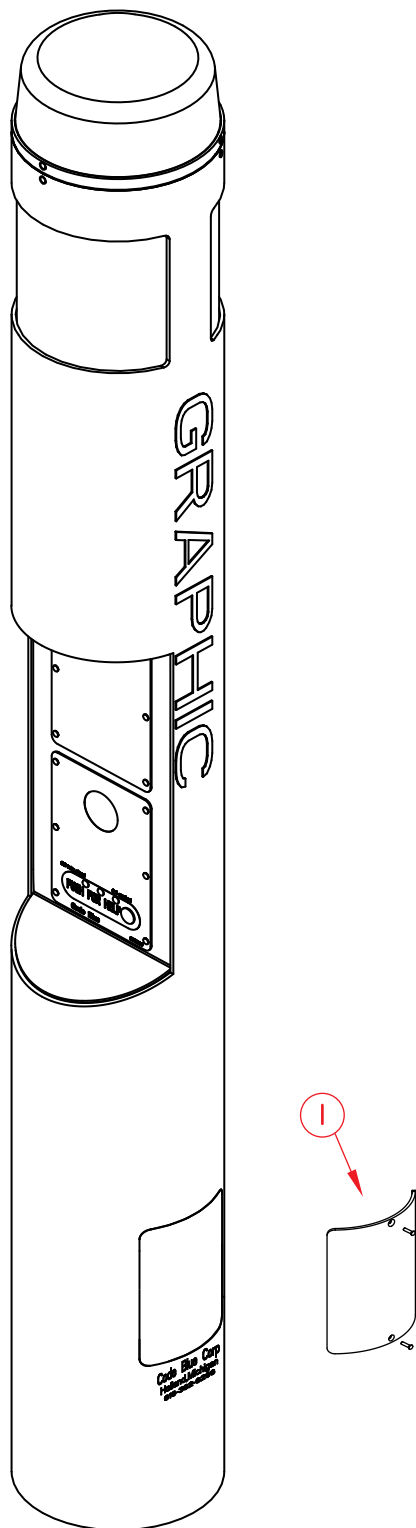


Locating Unit Serial Numbers



PEDESTAL UNITS

Open the service access door with the special security bit. Look on the opposite side of the door (1) for the serial number listed on the manufacturer's label.

WALL/POLE MOUNTED UNITS

Remove the speakerphone faceplate with the special security bit. The serial number will be listed on the manufacturer's label located inside the unit (2).

