

## WALL MOUNTED – INTERACTIVE VOICE COMMUNICATION UNIT WITH PUBLIC ADDRESS SYSTEM

### STANDARD BOLLARD FEATURES

- ▶ InterAct™ analog and VoIP speakerphone options
- ▶ 2 Auxiliary inputs/6 Auxiliary outputs (3 NO/3 NC)
- ▶ 12 gauge, 4B brushed stainless steel housing
- ▶ High output combo LED beacon/strobe
- ▶ 24v LED low consumption area light
- ▶ 12-24v AC or DC power
- ▶ Phone line surge suppressor
- ▶ Analog telephone connection
- ▶ Stainless steel faceplate
- ▶ Ultra-weather resistant finish
- ▶ Vandal resistant hardware
- ▶ UV resistant lenses
- ▶ Waterproof design
- ▶ Wall mounting kit
- ▶ ADA compliant

#### OPTIONAL FEATURES

- ▶ Two-button speakerphone w/keypad
- ▶ Two-button speakerphone
- ▶ Step-down power transformer
- ▶ Painted finish
- ▶ Custom graphics

### STANDARD SPEAKER FEATURES

- ▶ ToolVox® Communication Manager compatible with Blue Alert®, EMS and UPD software applications
- ▶ Proprietary One-Cycle Sound™ control
- ▶ Internal and remote volume adjustment
- ▶ Synchronized switching frequencies
- ▶ 2x150w switching amplifiers
- ▶ Bridgeable to 500w (4 Ohms, 1% THD+N)
- ▶ Amp Efficiency rated at > 95%
- ▶ Damping Factor > 375 @100Hz, 4 Ohms
- ▶ DC offset < 25mV
- ▶ Output feedback
- ▶ Remote disable
- ▶ Silent turn-on
- ▶ Full protection:
  - Over current short to chassis ground
  - Power supply under voltage lockout
  - Over temperature protection
  - Over current speaker short
- ▶ Monitor outputs:
  - Output current monitor
  - Protect and power on
  - Temperature monitor

### PAS SPEAKER SPECIFICATIONS

Frequency Response	450Hz-7kHz
Power Capacity	70w continuous program
Impedance	8 Ohms

### PAS AMPLIFIER SPECIFICATIONS

Load Resistance	2.5 Ohms
Output Power	150w (20Hz-20kHz, 0.1% THD)
Maximum Output Power	160w (20Hz-20kHz, 1% THD)
Max Bridged Output Power	500w (1% THD)
Sensitivity	3.5 Vrms
Gain	21-23dB, min. - max.
Distortion	0.05% (0.03% average)
Frequency Response	20Hz-20kHz, ±0.5dB
Noise Floor	35uV (input shorted, A-weighted)
Maximum Current	18-25 A, min. - max.
Peak Current	27 A
Damping Factor	375 Ohms
Power Bandwidth	60kHz
Small Signal Bandwidth	90kHz
Signal to Noise	117dB

**UNIT SPECIFICATIONS**

Overall Height	2' 8.25" (819.15 mm)
Width	12.125" (307.9 mm)
Depth	7.625" (193.7 mm)
Housing Material	1.105" steel (28 mm)
Overall Weight	75 lbs. (34 kg)
Standard Power Requirements	12-24v AC or DC

**UNIT FINISH COLORS**

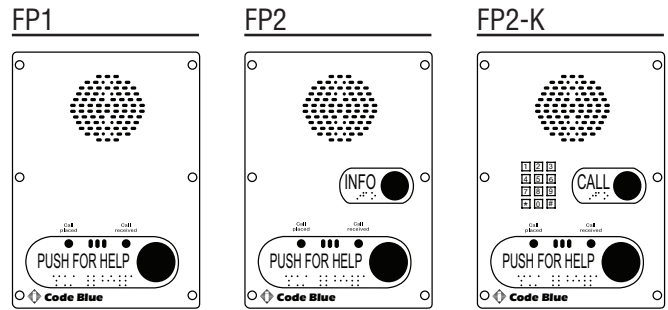
Standard	4B brushed stainless steel
Optional Painted Finish	British Racing Green, Cardinal Red, Dark Bronze, Gloss White, Gloss Black, Medium Bronze, Midnight Blue, Safety Blue, Safety Red, Safety Yellow
Custom Painted Finish	Custom colors from Pantone® color chart or sample are available as a special order

**GRAPHICS TEXT (WORDING)**

Standard	Assistance, Courtesy, Emergency, Police, Security
Custom	Custom text graphics are available as a special order

**GRAPHICS TEXT COLORS**

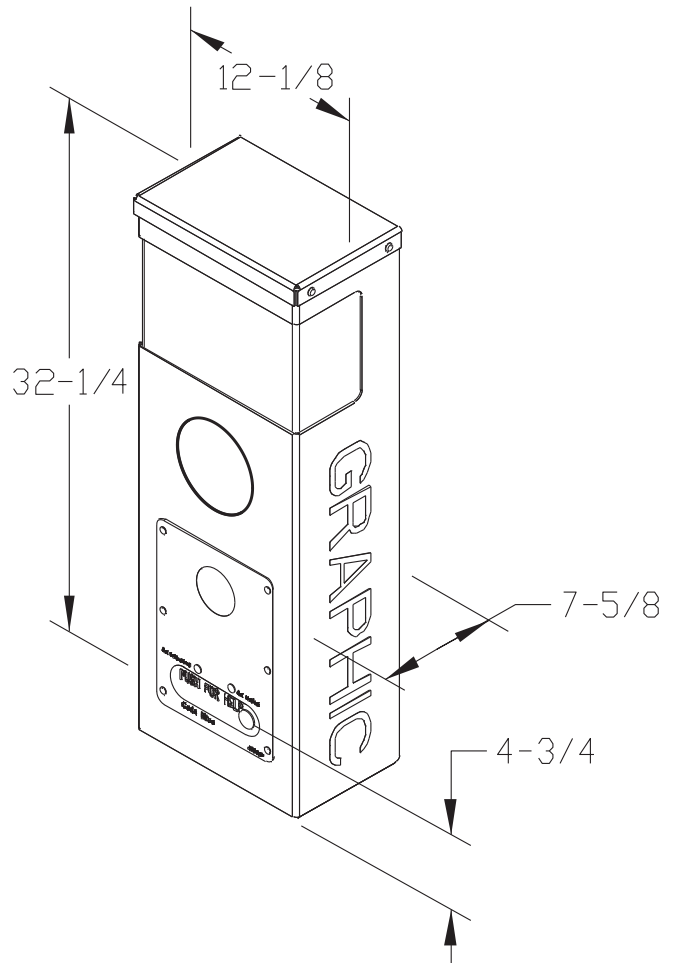
Standard (reflective decal)	Black, Blue, Green, Red, White, Yellow
Custom	Custom colors from Pantone color chart or sample are available as a special order

**FACEPLATE OPTIONS**


Standard faceplate assembly with single red **PUSH FOR HELP** button

Optional faceplate assembly with additional black **INFO** button

Optional faceplate assembly with additional **CALL** button and keypad



- Each unit is shipped with mounting hardware.
- Specifications subject to change without notice or obligation on the part of the manufacturer.